



CHDBX-1CL

HDBaseT™ Lite Repeater



Operation Manual



DISCLAIMERS

The information in this manual has been carefully checked and is believed to be accurate. Cypress Technology assumes no responsibility for any infringements of patents or other rights of third parties which may result from its use.

Cypress Technology assumes no responsibility for any inaccuracies that may be contained in this document. Cypress also makes no commitment to update or to keep current the information contained in this document.

Cypress Technology reserves the right to make improvements to this document and/or product at any time and without notice.

COPYRIGHT NOTICE

No part of this document may be reproduced, transmitted, transcribed, stored in a retrieval system, or any of its part translated into any language or computer file, in any form or by any means—electronic, mechanical, magnetic, optical, chemical, manual, or otherwise—without express written permission and consent from Cypress Technology.

© Copyright 2011 by Cypress Technology.

All Rights Reserved.

Version 1.1 August 2011

TRADEMARK ACKNOWLEDGMENTS

All products or service names mentioned in this document may be trademarks of the companies with which they are associated.



SAFETY PRECAUTIONS

Please read all instructions before attempting to unpack, install or operate this equipment and before connecting the power supply.

Please keep the following in mind as you unpack and install this equipment:

- Always follow basic safety precautions to reduce the risk of fire, electrical shock and injury to persons.
- To prevent fire or shock hazard, do not expose the unit to rain, moisture or install this product near water.
- Never spill liquid of any kind on or into this product.
- Never push an object of any kind into this product through any openings or empty slots in the unit, as you may damage parts inside the unit.
- Do not attach the power supply cabling to building surfaces.
- Use only the supplied power supply unit (PSU). Do not use the PSU if it is damaged.
- Do not allow anything to rest on the power cabling or allow any weight to be placed upon it or any person walk on it.
- To protect the unit from overheating, do not block any vents or openings in the unit housing that provide ventilation and allow for sufficient space for air to circulate around the unit.

REVISION HISTORY

| VERSION NO. | DATE DD/MM/YY | SUMMARY OF CHANGE |
|-------------|---------------|-------------------------|
| VR0 | 04/01/13 | Preliminary Release |
| VS1 | 24/06/13 | Updated Format/Diagrams |
| | | |





CONTENTS

| | |
|--|----------|
| 1. Introduction | 1 |
| 2. Applications | 1 |
| 3. Package Contents | 1 |
| 4. System Requirements | 1 |
| 5. Features | 2 |
| 6. Operation Controls and Functions | 3 |
| 6.1 Front Panel..... | 3 |
| 6.2 Rear Panel | 4 |
| 7. Connection Diagram | 5 |
| 8. Specifications | 7 |
| 9. Acronyms | 7 |



1. INTRODUCTION

This HDBaseT™ Repeater allows HDBaseT Lite systems to be extended and cascaded. The model supports the highest quality of uncompressed high-definition HD video up to 4K×2K (Ultra HD), up to 8 channels of uncompressed multi-channel audio, RS-232 and IR control systems, complete HDBaseT 3Play convergence with just a simple connection over a single CAT5e/6/7 cable.

2. APPLICATIONS

- HDBaseT Lite signal extension up to 60m (up to 120m with additional optional Repeater unit), 180m (1080p) in total (cascaded 3 times)
- Extending a zone's output range
- Cascading HDBaseT Lite equipment

3. PACKAGE CONTENTS

- HDBaseT Lite Repeater
- 24 V/1.25 A Power Adaptor
- Operation Manual

4. SYSTEM REQUIREMENTS

HDBaseT Lite Transmitter and HDBaseT Lite Receiver with CAT5e/6/7 connection cables.

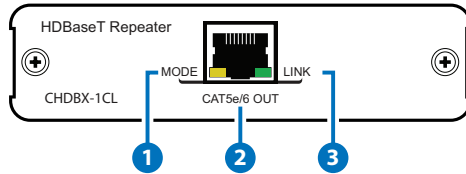


5. FEATURES

- HDMI, DVI and HDCP compliant
- Supports 3D over HDMI and 4k×2k (Ultra HD) resolution
- Supports CEC bypass
- Doubles up the distance of HDBaseT transmission between HDBaseT Lite transmitter and receiver, with a single repeater. The transmission distance can be added up 60 meters for every additional repeaters up to 3 tiers
- Uncompressed video support up to 1080p@60Hz/36-bit and 4k×2K (Ultra HD)
- Audio support up to LPCM 7.1CH, Dolby TrueHD and DTS-HD Master Audio
- 3Play Convergence: Full uncompressed HD Video, Audio and Controls (IR and RS-232) over a single CAT5e/6/7 cable
- Installation friendly

6. OPERATION CONTROLS AND FUNCTIONS

6.1 Front Panel



1 MODE LED

The yellow LED will flash when the unit is powered or when an active receiver is connected.

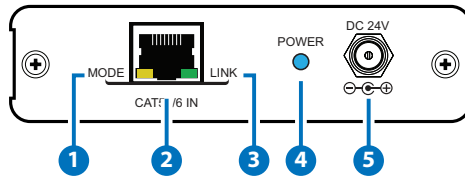
2 CAT5e/6 OUT

Connect to the receiver unit with a single CAT5e/6/7 cable (up to 60m).

3 LINK LED

The green LED will illuminate when output is connected to an active receiver. The LED will flash if there is a problem with the connection.

6.2 Rear Panel



1 MODE LED

The yellow LED will flash when the unit is powered or when an active transmitter is connected.

2 CAT5e/6 IN

Connect to the transmitter unit with a single CAT5e/6/7 cable (up to 60m).

3 LINK LED

The green LED will illuminate when output is connected to an active transmitter. The LED will flash if there is a problem with the connection.

4 POWER

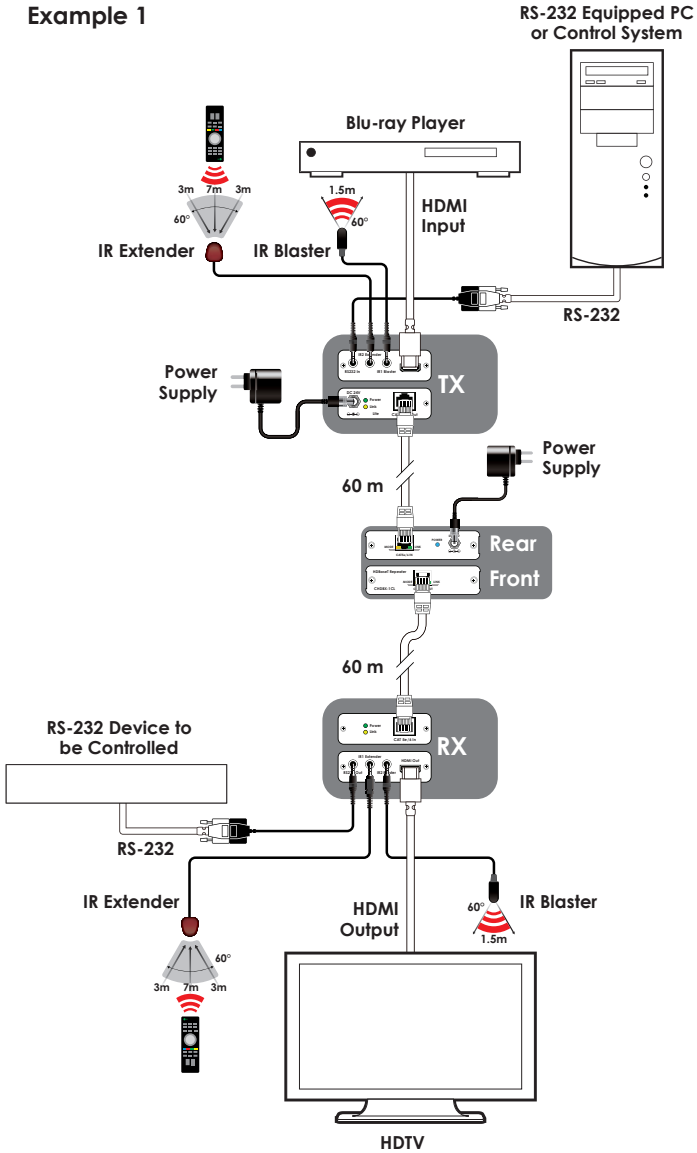
The LED will illuminate blue when the unit is connected to a power supply.

5 DC 24V

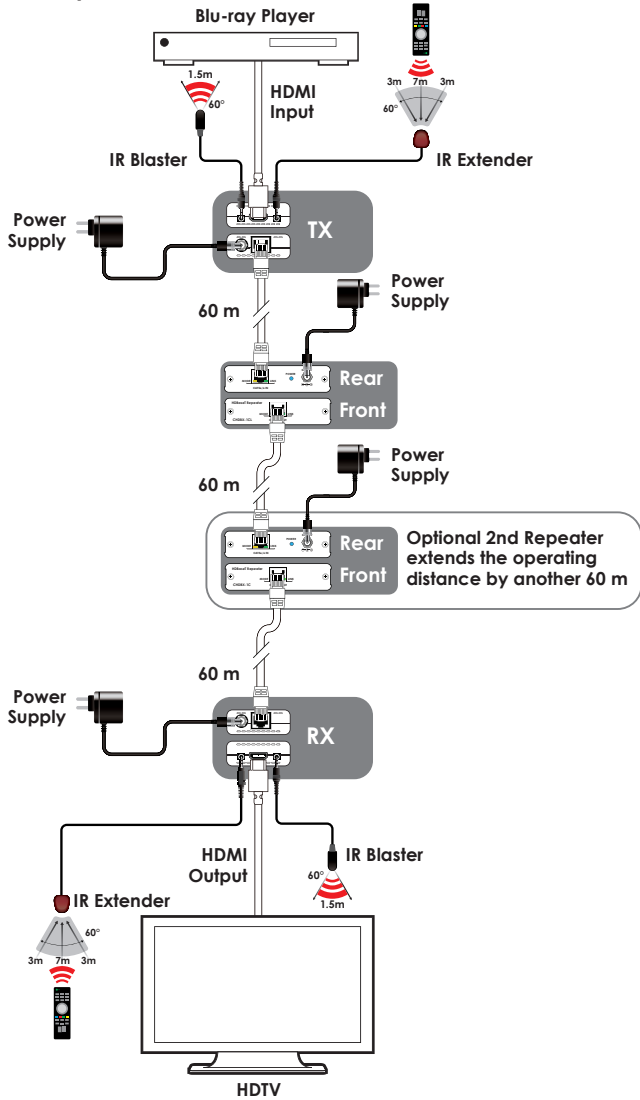
Connect the 24V DC power adaptor included in the package to the unit and plug it into an AC outlet.

7. CONNECTION DIAGRAM

Example 1



Example 2



8. SPECIFICATIONS

| | |
|--------------------------------|---|
| Video Bandwidth | 300 MHz/10.2 Gbps |
| Input Port | 1×CAT5e/6/7 |
| Output Port | 1×CAT5e/6/7 |
| Resolution Support | 480i~1080p@50/60, 1080p@24, 4k×2K |
| CAT5e/6 In/Out Distance | Up to 60/60 meters |
| Power Supply | 24 V/1.25 A DC (US/EU Standards, CE/FCC/UL certified) |
| Dimensions | 102 mm (W)×145 mm (D)×25 mm (H) |
| Weight | 324 g |
| Chassis Material | Metal |
| Silkscreen Color | Silver |
| Operating Temperature | 0 °C ~ 40 °C/32 °C~104 °C |
| Storage Temperature | -20 °C ~ 60 °C / -4 °F ~ 140 °F |
| Relative Humidity | 20~90 % RH (non-condensing) |
| Power Consumption | 16.2 W |

9. ACRONYMS

| ACRONYM | COMPLETE TERM |
|--------------|---|
| CAT5e | Category 5 Cable |
| CAT6 | Category 6 Cable |
| CAT7 | Category 7 Cable |
| CEC | Consumer Electronics Control |
| HDCP | High-bandwidth Digital Content Protection |
| HDMI | High Definition Multimedia Interface |
| PoE | Power over Ethernet |



CYPRESS TECHNOLOGY CO., LTD
Home page: <http://www.cypress.com.tw>

MPM-CHDBX1CL