



CLUX-31GAME

3×1 HDMI Switcher



Operation Manual

DISCLAIMERS

The information in this manual has been carefully checked and is believed to be accurate. Cypress Technology assumes no responsibility for any infringements of patents or other rights of third parties which may result from its use.

Cypress Technology assumes no responsibility for any inaccuracies that may be contained in this document. Cypress also makes no commitment to update or to keep current the information contained in this document.

Cypress Technology reserves the right to make improvements to this document and/or product at any time and without notice.

COPYRIGHT NOTICE

No part of this document may be reproduced, transmitted, transcribed, stored in a retrieval system, or any of its part translated into any language or computer file, in any form or by any means—electronic, mechanical, magnetic, optical, chemical, manual, or otherwise—without express written permission and consent from Cypress Technology.

© Copyright 2011 by Cypress Technology.

All Rights Reserved.

Version 1.1 August 2011

TRADEMARK ACKNOWLEDGMENTS

All products or service names mentioned in this document may be trademarks of the companies with which they are associated.





SAFETY PRECAUTIONS

Please read all instructions before attempting to unpack, install or operate this equipment and before connecting the power supply.

Please keep the following in mind as you unpack and install this equipment:

- Always follow basic safety precautions to reduce the risk of fire, electrical shock and injury to persons.
- To prevent fire or shock hazard, do not expose the unit to rain, moisture or install this product near water.
- Never spill liquid of any kind on or into this product.
- Never push an object of any kind into this product through any openings or empty slots in the unit, as you may damage parts inside the unit.
- Do not attach the power supply cabling to building surfaces.
- Use only the supplied power supply unit (PSU). Do not use the PSU if it is damaged.
- Do not allow anything to rest on the power cabling or allow any weight to be placed upon it or any person walk on it.
- To protect the unit from overheating, do not block any vents or openings in the unit housing that provide ventilation and allow for sufficient space for air to circulate around the unit.

REVISION HISTORY

VERSION NO.	DATE DD/MM/YY	SUMMARY OF CHANGE
V1	04/12/09	Preliminary Release
VS1	22/04/13	Updated format/diagrams



CONTENTS

1. Introduction	1
2. Applications	1
3. Package Contents	1
4. System Requirements	1
5. Features	2
6. Operation Controls and Functions	3
6.1 Top Panel	3
6.2 Front Panel.....	3
6.3 Side Panels.....	4
6.4 Rear Panel	4
7. Connection Diagrams	5
8. Specifications	7
9. Acronyms	7





1. INTRODUCTION

This 3×1 HDMI Switcher allows the user to input three HDMI sources and easily switch between these sources to provide a single HDMI output to a display or AV receiver. The CEC and EDID bypass function allows HDMI devices to turn both the source and display on or off with a simple touch. The Switcher is also DVI compatible when using a DVI to HDMI adaptor cable (available separately), allowing the integration of DVI devices such as PCs with HDMI devices such as Blu-players or game consoles.

2. APPLICATIONS

- Share a single TV/Monitor HDMI input between up to 3 source devices
- Add additional HDMI inputs to an AV receiver
- HDMI installation input extending
- Showroom display switching

3. PACKAGE CONTENTS

- 3×1 HDMI Switcher
- Operation Manual
- 5V/1 A DC Power adaptor (optional)
- USB A to Mini-B Cable (optional)

4. SYSTEM REQUIREMENTS

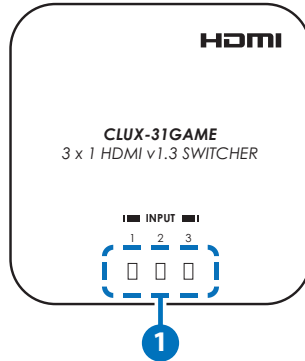
Source equipment such as games consoles, Blu-ray players (or a PC/ Laptop with DVI with a DVI to HDMI adaptor cable) and a monitor or TV with HDMI connection cable.

5. FEATURES

- HDMI, HDCP 1.1 and DVI 1.0 compliant
- Supports 30/36-bit color depth display
- Supports High Definition audio – Dolby Digital TrueHD and DTS-HD Master Audio
- Includes an Automatic Signal Enhancement feature that can improve signal quality over long distances.
- Supports push-button switching and auto-switching of HDMI sources
- LED indicators for input selection
- Ideal for integrating your game consoles into your home entertainment system
- Supports CEC and EDID bypass functions
- Optional USB Power for simplified installation
- Supports high resolution input:
 - PC: VGA, SVGA, XGA, SXGA, UXGA (1600×1200) and 1920×1200(RB)
 - HDTV: 480i, 480p, 576i, 576p, 720p, 1080i and 1080p
- Easy to install and operate

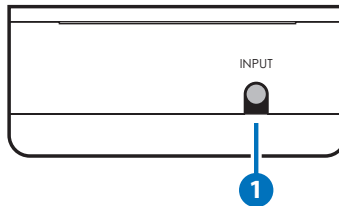
6. OPERATION CONTROLS AND FUNCTIONS

6.1 Top Panel



- 1 INPUT LED Indicators:** These LEDs will light to indicate the currently selected input.

6.2 Front Panel



- 1 INPUT Switch:** Press this button repeatedly to cycle through the input sources, the LED on the top panel will illuminate to indicate the active input.

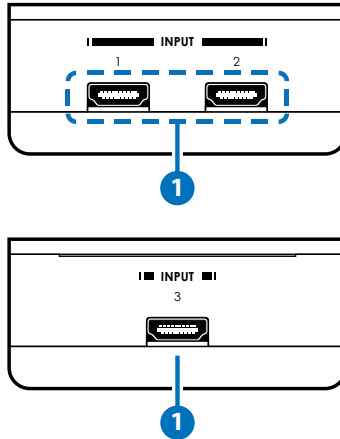
Push-Button-Switching and Auto-Switching

This unit features an auto-switching feature that will switch to a new source when it is plugged in or to a source that is already connected when it is powered on. Pressing the Input Switch will over ride this function and switch to next source.

Last Memory

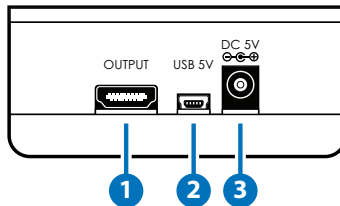
When powered off, the unit will retain in memory the last selected input and will switch to that input when next powered on.

6.3 Side Panels



- HDMI INPUT 1/2/3:** Connect to HDMI source devices such as a games console with HDMI cables or a DVI source device such as a PC (with DVI to HDMI cables, available separately).

6.4 Rear Panel

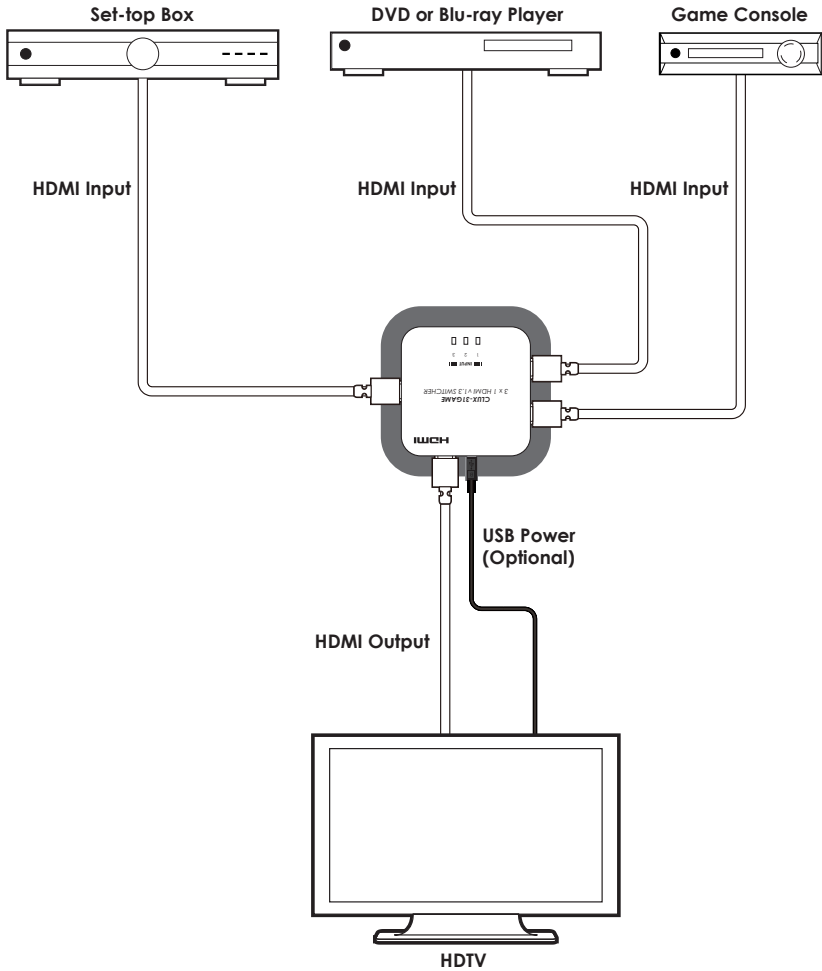


- HDMI OUTPUT:** Connect to a HDMI equipped TV/monitor or AV receiver for display of the selected HDMI source signal..
- USB 5V:** Connect the USB power port to any powered USB port with a USB A to Mini-B cable (supplied separately).
- DC 5V:** Connect the 5V DC power supply (supplied separately) to the unit and plug the adaptor into an AC outlet.

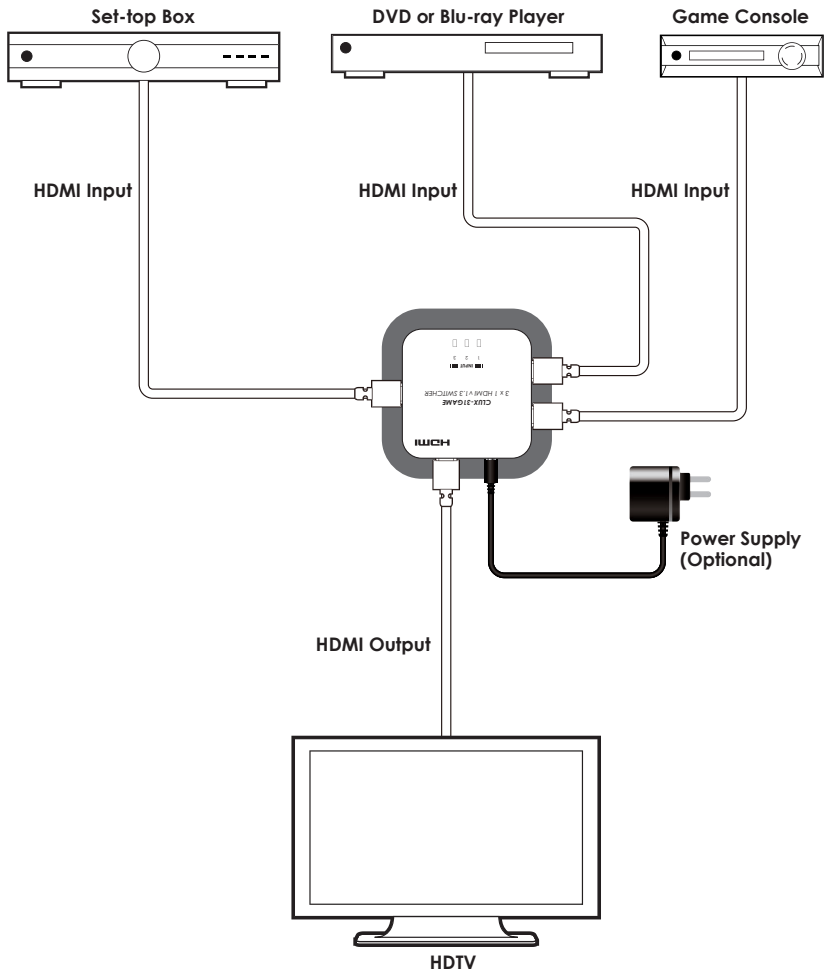
Note: Use only a single power supply at a time. Do not attempt to connect both at the same time.

7. CONNECTION DIAGRAMS

Example 1: USB power from a spare USB connection on an HDTV



Example 2: Using an optional 5V/1A DC power supply (available separately)





8. SPECIFICATIONS

Frequency Bandwidth	2.25 Gbps (single link)
Input Ports	3×HDMI Female Ports (Type A Connector)
Output Port	1×HDMI Female Port (Type A Connector)
Power Supply	Power over USB to Mini-B Cable* (Optional) OR 5V/1 A DC Power Supply* (US/EU standards, CE/FCC/UL certified) (Optional)
ESD Protection	Human body model: ±8 kV (air-gap discharge) ±4 kV (contact discharge)
Dimensions	100 mm (W)×70 mm(D)×20 mm(H)
Weight	90 g
Chassis Material	Plastic
Color	White
Power Consumption	2.5 W
Operating Temperature	0 °C ~ 40 °C / 32 °F ~ 104 °F
Storage Temperature	-20 °C ~ 60 °C / -4 °F ~ 140 °F
Relative Humidity	20~60 % RH (non-condensing)

*Available separately

9. ACRONYMS

ACRONYM	COMPLETE TERM
CEC	Consumer Electronics Control
DVI	Digital Visual Interface
EDID	Extended Display Identification Data
HDCP	High-bandwidth Digital content protection
HDMI	High Definition Multimedia Interface



CYPRESS TECHNOLOGY CO., LTD

Home page: <http://www.cypress.com.tw>