



CPRO-8ER

4Kx2K 1 by 8 HDMI Splitter



Operation Manual

DISCLAIMERS

The information in this manual has been carefully checked and is believed to be accurate. Cypress Technology assumes no responsibility for any infringements of patents or other rights of third parties which may result from its use.

Cypress Technology assumes no responsibility for any inaccuracies that may be contained in this document. Cypress also makes no commitment to update or to keep current the information contained in this document.

Cypress Technology reserves the right to make improvements to this document and/or product at any time and without notice.

COPYRIGHT NOTICE

No part of this document may be reproduced, transmitted, transcribed, stored in a retrieval system, or any of its part translated into any language or computer file, in any form or by any means—electronic, mechanical, magnetic, optical, chemical, manual, or otherwise—without express written permission and consent from Cypress Technology.

© Copyright 2011 by Cypress Technology. All Rights Reserved.

Version 1.0 September 2011

TRADEMARK ACKNOWLEDGMENTS

All products or service names mentioned in this document may be trademarks of the companies with which they are associated.





SAFETY PRECAUTIONS

Please read all instructions before attempting to unpack, install or operate this equipment and before connecting the power supply.

Please keep the following in mind as you unpack and install this equipment:

- Always follow basic safety precautions to reduce the risk of fire, electrical shock and injury to persons.
- To prevent fire or shock hazard, do not expose the unit to rain, moisture or install this product near water.
- Never spill liquid of any kind on or into this product.
- Never push an object of any kind into this product through any openings or empty slots in the unit, as you may damage parts inside the unit.
- Do not attach the power supply cabling to building surfaces.
- Use only the supplied power supply unit (PSU). Do not use the PSU if it is damaged.
- Do not allow anything to rest on the power cabling or allow any weight to be placed upon it or any person walk on it.
- To protect the unit from overheating, do not block any vents or openings in the unit housing that provide ventilation and allow for sufficient space for air to circulate around the unit.

REVISION HISTORY

VERSION NO.	DATE DD/MM/YY	SUMMARY OF CHANGE
RDV1	22/05/13	Preliminary release
RDV2	08/07/13	EDID behavior



CONTENTS

1. Introduction	1
2. Applications	1
3. Package Contents	1
4. System Requirements	1
5. Features	1
6. Operation Controls and Functions	2
6.1 Front Panel	2
6.2 Rear Panel.....	3
7. Connection Diagram	4
8. Specifications	5
9. Acronyms	6





1. INTRODUCTION

This range of high performance HDMI splitters provide one HDMI in to eight HDMI outputs and support 4Kx2K, 3D, 12-bit Deep Color as well as High definition Lossless Audio. With its 9Gbps bandwidth and the additional features of the latest HDMI standards you can be sure of great HDMI distribution.

2. APPLICATIONS

- Simultaneously display one HDMI source on 8 TVs/projectors
- Showroom display
- University lecture hall display
- Retail sales display
- Commercial presentation switcher/scaler

3. PACKAGE CONTENTS

- 1 x 1 by 8 HDMI Splitter
- 1 x 5V DC Power Supply Adaptor
- Operation Manual

4. SYSTEM REQUIREMENTS

- HDMI equipped source devices such as a DVD/Blu-ray play with HDMI cables or DVI to HDMI cables
- HDMI equipped displays (TV or monitors) with HDMI cables

5. FEATURES

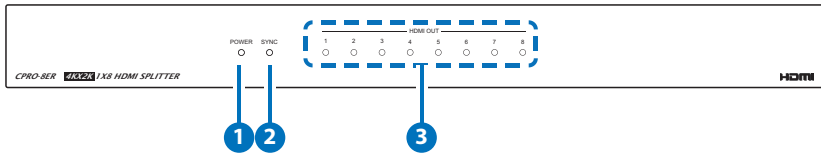
- Supports HDTV resolutions up to 4Kx2K/30Hz
- HDMI and DVI compatible
- Supports 1080p@60Hz, Deep Color 12-bit
- Supports LPCM 7.1CH, Dolby TrueHD and DTS-HD Master Audio
- Supports 3D
- Supports System reset and EDID selection functions

Note:

Displaying HDMI 4Kx2K resolution require the standard 4Kx2K HDMI cable and display in order for proper image displaying.

6. OPERATION CONTROLS AND FUNCTIONS

6.1 Front Panel



1 POWER LED:

Once the power supply is connected the LED will illuminate

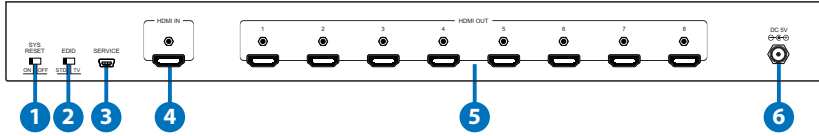
2 SYNC:

This LED will illuminate when the HDMI input port is connected to an active source.

3 HDMI OUT LEDs:

These LEDs will illuminate when HDMI output are connected to TV or display monitor.

6.2 Rear Panel



1 SYS RESET ON/OFF:

This switch allows the user to perform a system reset. The default setting is OFF, leave as it is when in normal use. By switching ON, the unit will perform a reset every 8~10 minutes, in order to perform this function the displays must have CEC supported. When performed successfully, the system will automatically switch the displays to HDMI input 1. The system reset will not perform on those displays that do not have a CEC function.

2 EDID STD/TV:

The default factory setting is on TV, leave as it is when the display is properly. The unit will detect the 1st HDMI output's EDID when it obtain a 4Kx2K EDID and send out the signal accordingly to all other output ports. If the 1st HDMI output is without a 4Kx2K's EDID the unit will detect all output's EDID and send out the signal that all output can accept.

This device obtain the last memory function therefore, the device will use the last output port 1's EDID when output port 1 is not connected to a display after every power cycling or switch in between the EDID setting.

Switch to STD to use build-in EDID if the display has problem. STD EDID's video at 1080p@60Hz and audio at LPCM 2CH.

3 SERVICE:

This slot is reserved for factory service only.

4 HDMI IN:

Connect with source equipment such as DVD/Blu-ray or PS3 player.

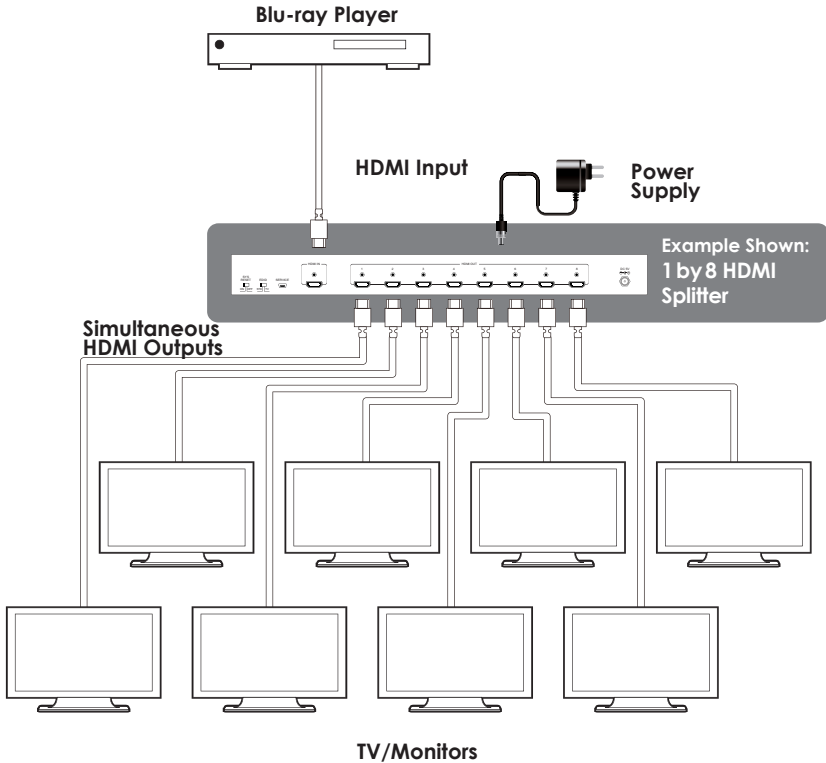
5 HDMI OUT:

Connect to HDMI display for instant image display or cascade with another family type transmitter.

6 DC 5V:

Plug the 5V DC power supply into the unit and connected the adaptor to an AC outlet.

7. CONNECTION DIAGRAM





8. SPECIFICATIONS

Video Bandwidth	300Mbps/9Gbps
Input ports	1 x Female HDMI type A, 1 x USB (Service only)
Output ports	8 x HDMI,
Resolution	Up to 4Kx2K (3840x2160@24/25/30Hz/4096 x2160@24Hz)
Power Supply	5V / 3A DC (US/EU standards, CE/FCC/UL certified)
Dimensions	436 mm(W) x 166 mm(D) x 49 mm(H)
Weight	884
Chassis Material	Metal
Silkscreen Color	Black
ESD Protection	Human body model: ±8kV (air-gap discharge) ±4kV (contact discharge)
Operating Temperature	Operating from 0°C ~ 40°C
Storage Temperature	-20°C ~ 60°C / -4 °F ~ 140 °F
Relative Humidity	20 ~ 90% RH (non-condensing)
Power Consumption	9W

9. ACRONYMS

ACRONYM	COMPLETE TERM
DTS	Digital Theater System
EDID	Extended Display Identification Data
HDCP	High-bandwidth Digital Content Protection
HDMI	High-Definition Multimedia Interface
HDTV	High-Definition Television



CYPRESS TECHNOLOGY CO., LTD
Home page: <http://www.cypress.com.tw>

MPM-CPRO8ER