

VEX-E4701TR

UHD+ HDMI over HDBaseT Transceiver with USB KVM

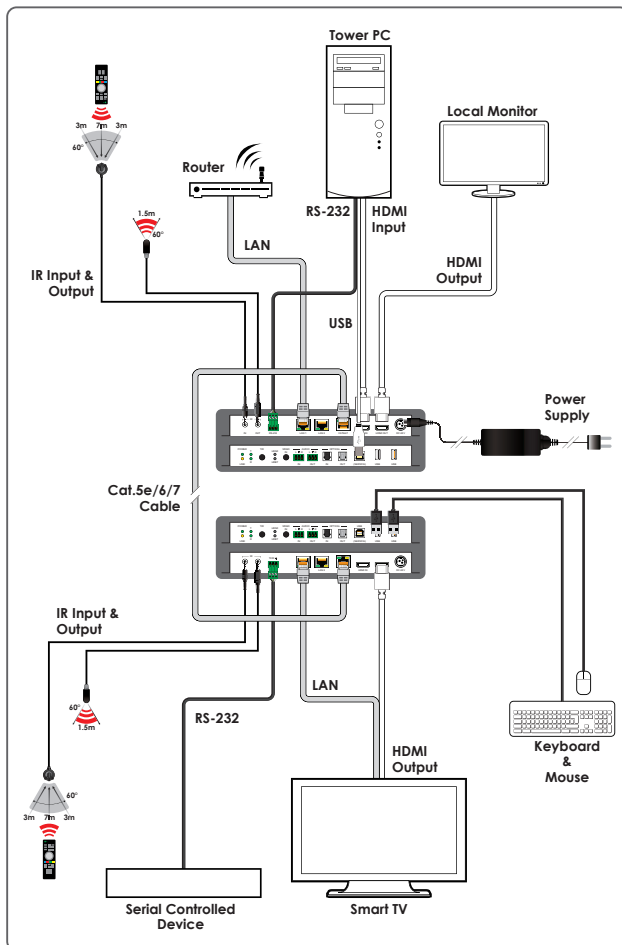


This Transceiver is new generation HDBaseT 3.0 technology, it is a great solution for extending uncompressed HDMI 2.0 4K@60 (4:4:4, 8-bit) video and HD audio as well as Ethernet and control via a single run of Cat.6a/7 cable over distances of up to 100 meters. Every Transceiver can be configured to function as either a Transmitter or a Receiver, enhancing the flexibility of any installation. Multiple control and data signals may also be transmitted along with the audio and video, including IR, RS-232, USB 2.0, and 1000BaseT Ethernet. This Transceiver is ideal for any scenario which needs uncompressed video like medical equipment, conference room, education and anything you want to extend.

PANELS



DIAGRAM



FEATURES

- HDMI 2.0 and DVI 1.0 compatible, HDCP 2.2 and HDCP 1.x compliant
- HDBaseT 3.0 compliant (Backwards compatible with HDBaseT 2.0/1.0)
- Supports up to 4K UHD+ (18Gbps, 4K@50/60Hz 4:4:4, 8-bit) video input and output over both HDMI and HDBaseT
- Supports 10-bit and 12-bit HDR (High Dynamic Range) input/output
- HDBaseT extends video, audio and data over a single Cat.6A/7 cable and can reach distances up to 100m/328ft
- HDBaseT feature support: HD Video and Audio, Gigabit Ethernet, Bi-directional PoH, Bi-directional audio (optical and analog), and Control (bi-directional USB/IR/RS-232 pass-through)
- 2 USB 2.0 Type-A device ports and 1 USB 2.0 Type-B host port
- HDMI output functions as a local monitor when in transmitter mode

SPECIFICATIONS

Interfaces

Input Ports 1×HDMI (Type-A)
1×Digital Audio (TOSLINK)
1×Analog Audio (3-pin Terminal Block)

Output Ports 1×HDMI (Type-A)
1×Digital Audio (TOSLINK)
1×Analog Audio (3-pin Terminal Block)

Bi-direction Port 1×HDBaseT (RJ-45)

Pass-through Ports 1×IR Extender (3.5mm)
1×IR Blaster (3.5mm)
1×RS-232 (3-pin Terminal Block)
2×LAN (RJ-45)
2×USB 2.0 (Type-A)

Pass-through/Service Port 1×USB 2.0 (Type-B)

Video

HDMI Compliance HDMI 2.0

HDCP Compliance HDCP 2.2

Input Signal Type HDMI 4K@60 8bit RGB 4:4:4
HDBT 4K@60 8bit RGB 4:4:4

Output Signal Type HDMI 4K@60 8bit RGB 4:4:4
HDBT 4K@60 8bit RGB 4:4:4

Resolutions

Maximum Input HDMI 4096×2160p@60

HDBT 4096×2160p@60

Maximum Output HDMI 4096×2160p@60

HDBT 4096×2160p@60

Audio

HDMI LPCM (8 Channels), Bitstream, HD Bitstream

HDBT LPCM (8 Channels), Bitstream, HD Bitstream

Analog Out 2 Vrms
S/N Ratio: > 80dB (1kHz with 0dBFS)

Power

Power Supply 48V/ 0.83A DC

Power Consumption 30.48W

Enclosure

Chassis Material Metal(Steel)

Chassis Color Black

Dimensions (W×H×D) 231.5mm×25mm×108mm [Case Only]
231.5mm×25mm×116.7mm [All Inclusive]

Weight 700g

Field Firmware Update

USB stick Update

ORDERING INFORMATION

Model No.	Product Description
VEX-E4701TR	UHD+ HDMI over HDBaseT Transceiver with USB KVM
VEX-E4501T	UHD+ HDMI over HDBaseT Transmitter with USB KVM
VEX-E4501R	UHD+ HDMI over HDBaseT Receiver with USB KVM