

# CPLUS-V32SDM

## UHD+ Multi-format Matrix Switcher with USB Ethernet Hub



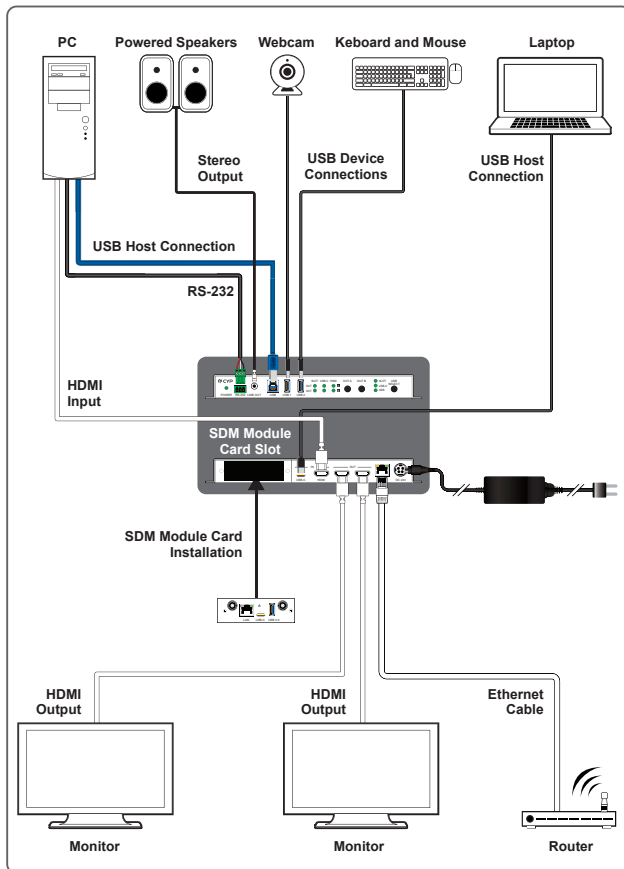
CPLUS-V32SDM is a 3x2 matrix switch for use in a wide range of multi-format signals and can be equipped with SDM module cards to widen usages. With the commonly used HDMI outputs, this unit can switch video signals between HDMI and USB-C. This product has a module card slot to let users equip additional function cards and fulfill different scenarios.

This matrix switcher supports HDCP2.2, resolutions up to 4k@60Hz (4:4:4, 8-bit), and can be controlled via WebGUI, Telnet and RS-232. It also includes USB3.0 hub with two host-ports and two device-ports for flexible KVM configuration. With the USB extension, this product is ideal for conference, remote meeting, and education scenarios.

### PANELS



### DIAGRAM



### FEATURES

- Supports USB 3.0 with one USB-B port, one USB-C port for connecting to a host PC, and two USB-A ports for peripheral devices and storage extension.
- Supports gigabit Ethernet.
- Supports pass-through of 8 channel LPCM, bitstream & HD bitstream audio formats.
- Supports 4K HDR formats by HDR10, HLG and Dolby Vision.
- Supports basic signal event automation (via RS-232, IP or CEC).
- One module card slot for CYP SDM series module cards.

### SPECIFICATIONS

Interfaces	
<b>Input Port</b>	1×HDMI 1×USB -C 1×Slot
<b>Output Port</b>	2×HDMI 1×Stereo Audio (3.5mm)
<b>Control I/O</b>	1×RS-232 (3-pin Terminal Block) 1×LAN (RJ-45)
<b>Pass-through Port</b>	2×USB-A 1×USB-B
Video	
<b>HDMI Compliance</b>	HDMI 2.0
<b>HDCP Compliance</b>	HDCP 2.2
<b>Input Signal Types</b>	4096x2160p@60 8bit YUV4:4:4
<b>Output Signal Types</b>	4096x2160p@60 8bit YUV4:4:4
Resolutions	
<b>Maximum Input</b>	HDMI 4096x2160p@60
	USB-C 4096x2160p@60
<b>Maximum Output</b>	HDMI 4096x2160p@60
Audio	
<b>HDMI</b>	LPCM 2.0 /5.1 /7.1 High-Definition Bitstream
<b>Line Out</b>	LPCM 2 channel Bitstream High-Definition Bitstream
Power	
<b>Power Supply</b>	DC 24V 6.25A
<b>Power Consumption</b>	75W (with USB-C PD)
Enclosure	
<b>Chassis Material</b>	Metal (Steel)
<b>Chassis Color</b>	Black
<b>Dimensions (W×H×D)</b>	231.5mm×24mm×158mm
<b>Weight</b>	896g
Field Firmware Update USB Flash Drive, WebGUI	

### ORDERING INFORMATION

Model No.	Product Description
<b>SDM-W201R</b>	4K@30 WIFI to HDMI Wireless Receiver