

A0			NEW DESCRIPTION
REV	ECN NO.	DATE	DESCRIPTION



**Elpro Video RGB di Grillo Bruno**  
 VIA C. Cavour, 195  
 10091 Alpignano (TO)  
 Tel. 011 207 9232 - Cel. 340 9730457  
 info@elprovideo.orgb.com / www.elprovideo.orgb.com  
 12135380017 - GRLBNN70H12I854V

## PIN ASSIGNMENT:

P1	P2	
PIN 1	PIN 1	TMDS DATA 2-
PIN 2	PIN 2	TMDS DATA 2+
PIN 3	PIN 3	TMDS DATA 2 SHIELD
PIN 6	PIN 6	DDC CLOCK
PIN 7	PIN 7	DDC DATA
PIN 9	PIN 9	TMDS DATA 1-
PIN 10	PIN 10	TMDS DATA 1+
PIN 11	PIN 11	TMDS DATA 1 SHIELD
PIN 14	PIN 14	POWER +5V
PIN 15	PIN 15	GROUND(+5V & HV SUMC.)
PIN 16	PIN 16	HOT PLUG DETECT
PIN 17	PIN 17	TMDS DATA 0-
PIN 18	PIN 18	TMDS DATA 0+
PIN 19	PIN 19	TMDS DATA 0 SHIELD
PIN 22	PIN 22	TMDS CLOCK SHIELD
PIN 23	PIN 23	TMDS CLOCK +
PIN 24	PIN 24	TMDS CLOCK -

### Note:

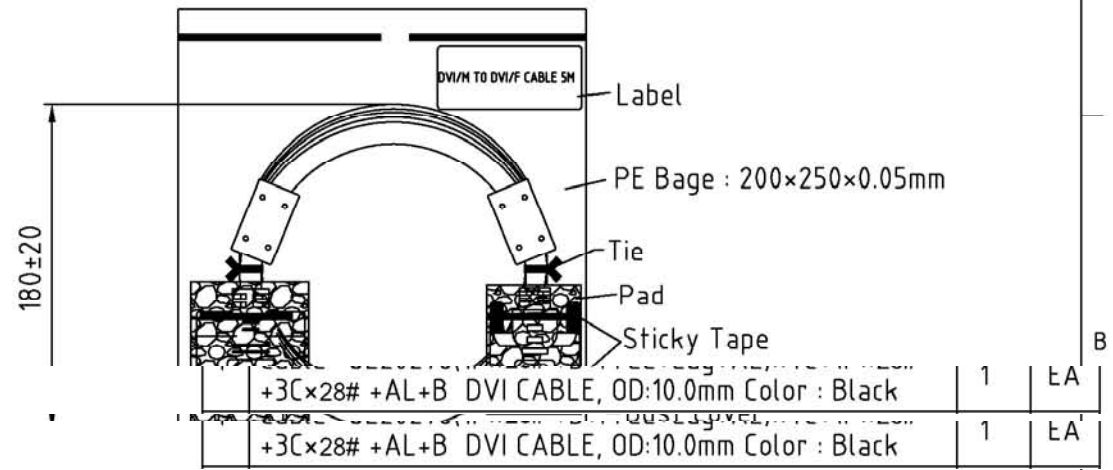
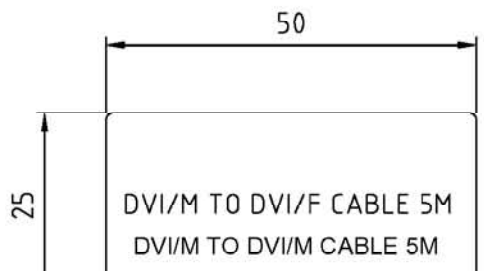
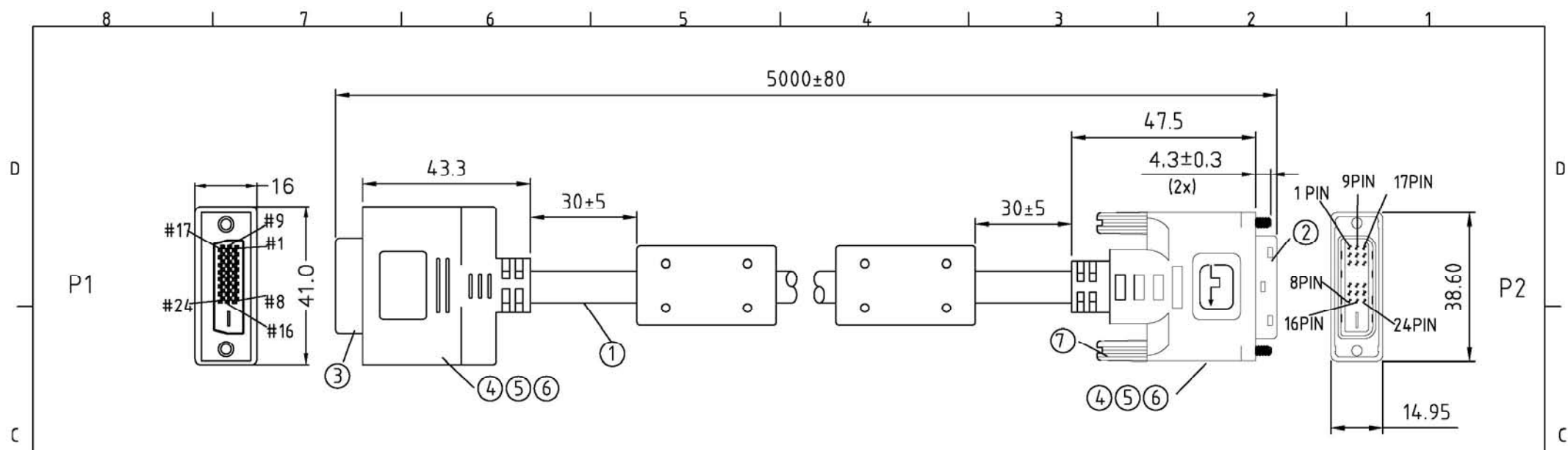
- 1.ELECTRICAL PERFORMANCE:
  - 1.1 DIELECTRIC STRENGTH: 300V AC FOR 10MS.
  - 1.2 INSULATION RESISTANCE: 10MEGA Ohms MIN.
  - 1.3 DIFFERENTIAL IMPEDANCE:100 +/- 10 Ohms - TDR
  - 1.4 CONTACT RESISTANCE: 10hms MAX.

6	Inner Mold : PE-5019.	12	G
5	Over Mold : 45P/PVC , Color : Black	41	G
4	Copper Foil : 30×70mm	2	PCS
3	Screw : #4-40UNC , ϕ2.8×44.4mm	4	PCS
2	DVI Connector : ( 18+1) Male , Shell G/F, PIN Gold 15u"	2	PCS
1	Cable : UL20276(1P×28# +D+Free+edg+AL)×4C+1P×28# +3C×28# +AL+B DVI CABLE, OD:10.0mm Color : Black	1	EA
NO	DESCRIPTION	Q'TY	UNIT

A0	NEW DESCRIPTION
REV	DESCRIPTION
ECN NO.	DATE



**Elpro Video RGB di Grillo Bruno**  
 VIA C. Cavour, 195  
 10091 Alpignano (TO)  
 Tel. 011 207 9232 - Cel. 340 9730457  
 info@elprovideorgb.com / www.elprovideorgb.com  
 12135380017 - GRLBNN70H12I854V



A0			NEW DESCRIPTION
REV	ECN NO.	DATE	DESCRIPTION



**Elpro Video RGB di Grillo Bruno**  
 VIA C. Cavour, 195  
 10091 Alpignano (TO)  
 Tel. 011 207 9232 - Cel. 340 9730457  
 info@elprovideo.orgb.com / www.elprovideo.orgb.com  
 12135380017 - GRLBNN70H12I854V

## PIN ASSIGNMENT:

P1	P2	
PIN 1	PIN 1	TMDS DATA 2-
PIN 2	PIN 2	TMDS DATA 2+
PIN 3	PIN 3	TMDS DATA 2 SHIELD
PIN 6	PIN 6	DDC CLOCK
PIN 7	PIN 7	DDC DATA
PIN 9	PIN 9	TMDS DATA 1-
PIN 10	PIN 10	TMDS DATA 1+
PIN 11	PIN 11	TMDS DATA 1 SHIELD
PIN 14	PIN 14	POWER +5V
PIN 15	PIN 15	GROUND(+5V & HV SUMC.)
PIN 16	PIN 16	HOT PLUG DETECT
PIN 17	PIN 17	TMDS DATA 0-
PIN 18	PIN 18	TMDS DATA 0+
PIN 19	PIN 19	TMDS DATA 0 SHIELD
PIN 22	PIN 22	TMDS CLOCK SHIELD
PIN 23	PIN 23	TMDS CLOCK +
PIN 24	PIN 24	TMDS CLOCK -
SHIELD	SHIELD	GROUND

## Note:

1.ELECTRICAL PERFORMANCE:

1.1 DIELECTRIC STRENGTH: 300V AC FOR 10MS.

1.2 INSULATION RESISTANCE: 10MEGA Ohms MIN.

1.3 DIFFERENTIAL IMPEDANCE:100 +/- 10 Ohms - TDR

1.4 CONTACT RESISTANCE: 10hms MAX.

8	Ferrite Core : $\phi 14.2 \times 28.0 \times \phi 11 \text{mm}$	2	PCS
7	Screw : #4-40UNC , $\phi 2.8 \times 4.4 \text{mm}$	2	PCS
6	Over Mold : 45P/PVC, Color : Black	44	G
5	Copper Foil:30x70mm	1	PCS
4	Inner Mold : PE-5019.	12	G
3	DVI connector:(24+1)Female,Shell Nickle,PIN Gold 3u" w/ screw nut	1	PCS
2	DVI connector:(18+1)Male, Shell Nickle ,PIN Gold 3u"	1	PCS
1	Cable : UL20276(1Px28# +D+Free+edg+AL)x4C+1Px28# +3Cx28# +AL+B DVI CABLE, OD:10.0mm Color:Black	1	EA
NO	DESCRIPTION	Q'TY	UNIT

A0	NEW DESCRIPTION
REV	ECN NO. DATE DESCRIPTION



**Elpro Video RGB di Grillo Bruno**

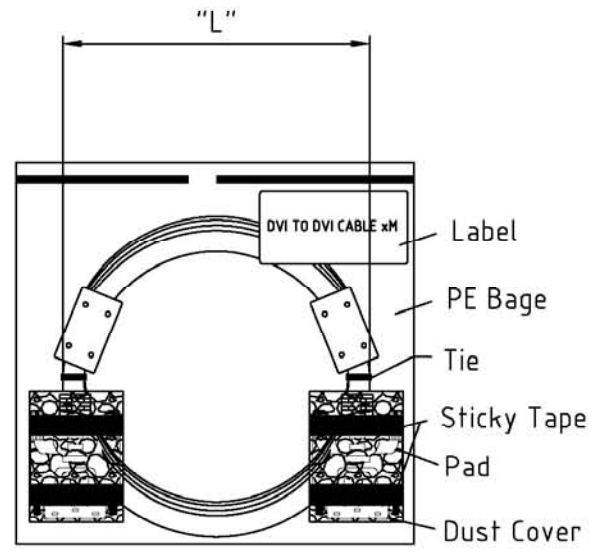
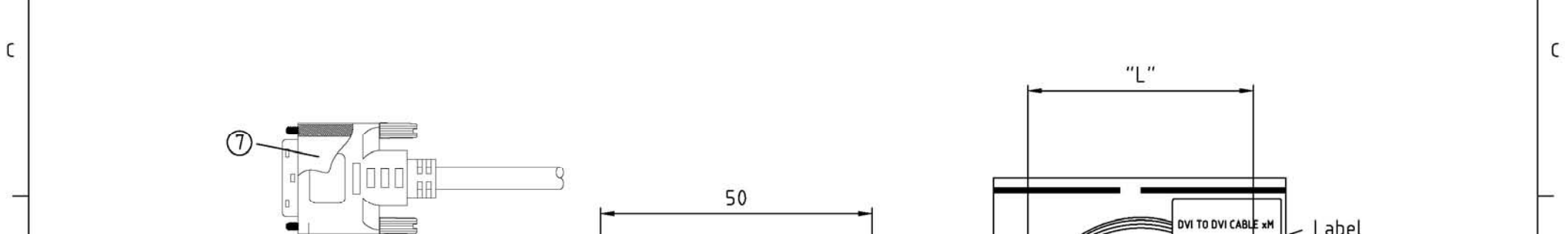
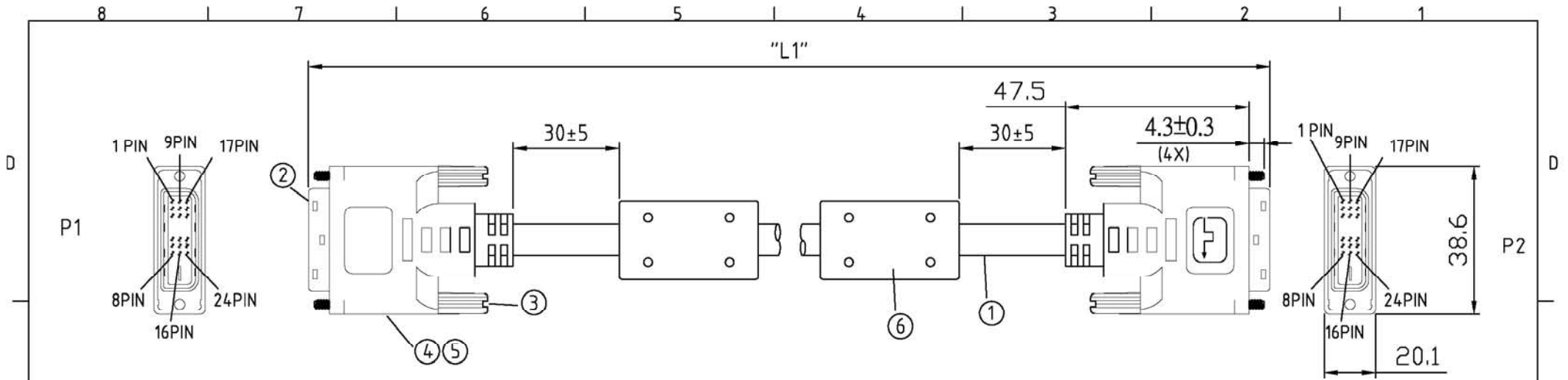
VIA C. Cavour, 195

10091 Alpignano (TO)

Tel. 011 207 9232 - Cel. 340 9730457

info@elprovideorgb.com / www.elprovideorgb.com

12135380017 - GRLBNN70H12I854V



15000±150	DVI TO DVI CABLE 15M	300×400×0.08mm	250±20
10000±120	DVI TO DVI CABLE 10M	300×350×0.08mm	220±20
"L1"	Label	PE Bage Size	"L"

A0			NEW DESCRIPTION
REV	ECN NO.	DATE	DESCRIPTION



**Elpro Video RGB di Grillo Bruno**  
 VIA C. Cavour, 195  
 10091 Alpignano (TO)  
 Tel. 011 207 9232 - Cel. 340 9730457  
 info@elprovideo.orgb.com / www.elprovideo.orgb.com  
 12135380017 - GRLBNN70H121854V

## PIN ASSIGNMENT:

P1	P2	
PIN 1	PIN 1	TMDS DATA 2-
PIN 2	PIN 2	TMDS DATA 2+
PIN 3	PIN 3	TMDS DATA 2 SHIELD
PIN 6	PIN 6	DDC CLOCK
PIN 7	PIN 7	DDC DATA
PIN 9	PIN 9	TMDS DATA 1-
PIN 10	PIN 10	TMDS DATA 1+
PIN 11	PIN 11	TMDS DATA 1 SHIELD
PIN 14	PIN 14	POWER +5V
PIN 15	PIN 15	GROUND(+5V & HV SUMC.)
PIN 16	PIN 16	HOT PLUG DETECT
PIN 17	PIN 17	TMDS DATA 0-
PIN 18	PIN 18	TMDS DATA 0+
PIN 19	PIN 19	TMDS DATA 0 SHIELD
PIN 22	PIN 22	TMDS CLOCK SHIELD
PIN 23	PIN 23	TMDS CLOCK +
PIN 24	PIN 24	TMDS CLOCK -
SHIELD	SHIELD	GROUND

## Note:

1.ELECTRICAL PERFORMANCE:

1.1 DIELECTRIC STRENGTH: 300V AC FOR 10MS.

1.2 INSULATION RESISTANCE: 10MEGA Ohms MIN.

1.3 DIFFERENTIAL IMPEDANCE:100 +/- 10 Ohms - TDR

1.4 CONTACT RESISTANCE: 10hms MAX.

7	Inner Mold : PE-5019.	12	G
6	Ferrite Core : $\phi 14.2 \times 28.0 \times \phi 11 \text{mm}$	2	PCS
5	Over Mold : 45P/PVC , Color : Black	41	G
4	Copper Foil : 30x90mm	2	PCS
3	Screw : #4-40UNC , $\phi 2.8 \times 44.4 \text{mm}$	4	PCS
2	DVI Connector : ( 18+1) Male , Shell G/F, PIN Gold 15u"	2	PCS
1	Cable : UL20276(1Px24#+D+Free+edg+AL)x4C+1Px24#+3Cx24#+AL+B DVI CABLE, OD:10.0mm Color : Black	1	EA
NO	DESCRIPTION	Q'TY	UNIT

A0			NEW DESCRIPTION
REV	ECN NO.	DATE	DESCRIPTION



**Elpro Video RGB di Grillo Bruno**

VIA C. Cavour, 195

10091 Alipignano (TO)

Tel. 011 207 9232 - Cel. 340 9730457

info@elprovideorgb.com / www.elprovideorgb.com

12135380017 - GRLBNN70H12I854V