

D

C

B

A

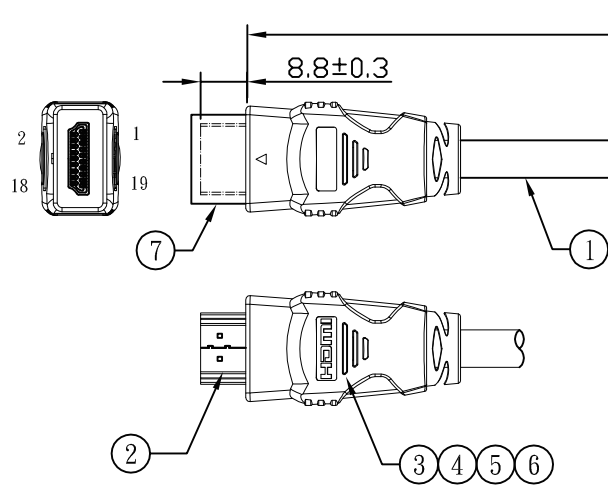
D

C

B

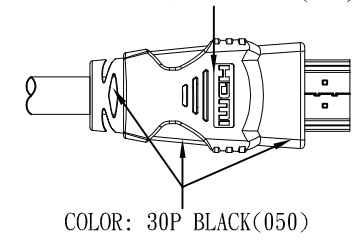
A

P1



HD050CABLE	5000±50
HD015CABLE	1500±30
P/N	L±T

COLOR: 45P BLACK(050)

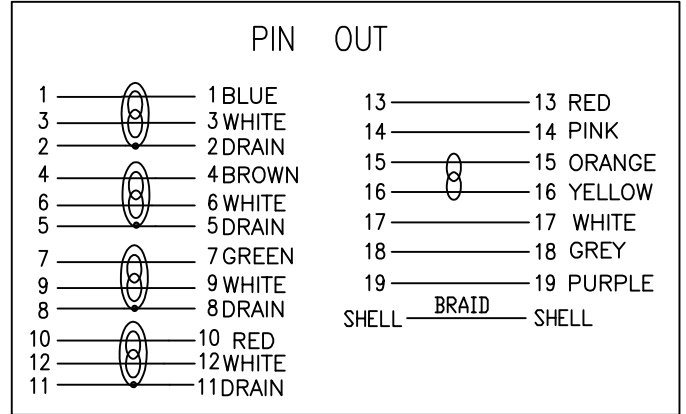


COLOR: 30P BLACK(050)

CABLE MARKING: E119932 ㊄ AWM STYLE 20276 80°C 30V VW-1 HDMI
COPARTNER

NOTE:

- 1.TESTING CONDITIONS:
 A:INSULATION RESISTANCE 10MΩ
 B:VOLTAGE: DC300V
 C:CONDUCTOR RESISTANCE 3Ω
 2.DURATION: 0.01S



⑦	2	DUST COVER :PVC TRANSPARENT COLOUR	
⑥	AR	COPPER FOIL 360° SOLDERING	
⑤	AR	OVER MOLDING: 30P PVC BLACK(050)	
④	AR	OVER MOLDING: 45P PVC BLACK(050)	
③	AR	INNER MOLDING:PE CLEAR	
②	2	HDMI 19P M SOLDER GOLD PLATED 15u" CONTACTS G/F SHELL INSULATION: BLACK	
①	1	UL20276, [(28AWG*1P+MY/AL+D)*4+28AWG*1P+28AWG*5C]+AB(16/3/0.12MM), BLACK JACKET PVC, OD=7.3mm	
NO.	Q'TY	Description	Remark



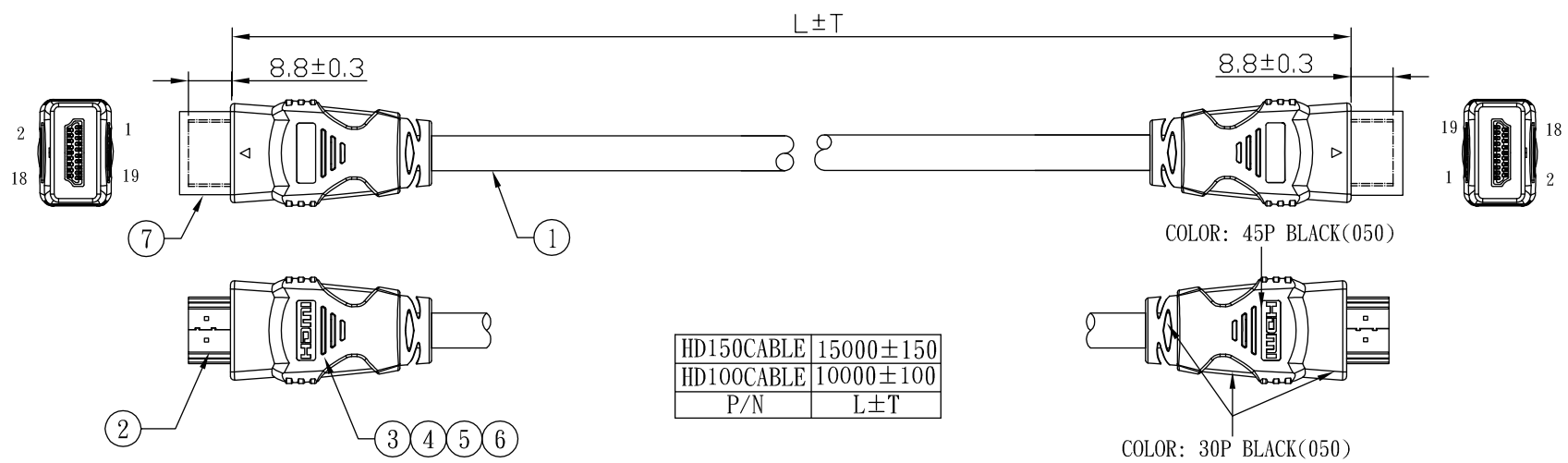
Elpro Video RGB di Grillo Bruno
 VIA C. Cavour, 195
 10091 Alpignano (TO)
 Tel. 011 207 9232 - Cel. 340 9730457
 info@elprovideorgb.com / www.elprovideorgb.com
 12135380017 - GRLBNN70H12I854V

D

D

P1

P2



HD150CABLE	15000±150
HD100CABLE	10000±100
P/N	L±T

COLOR: 45P BLACK(050)

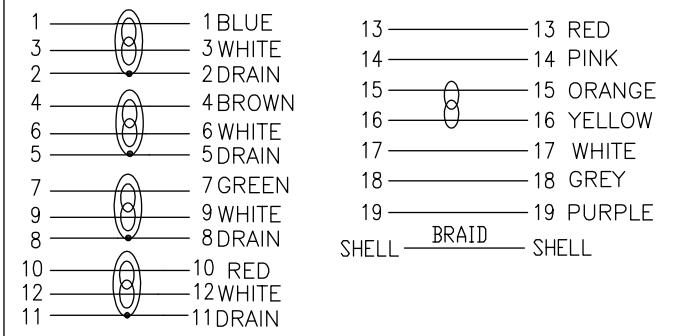
COLOR: 30P BLACK(050)

CABLE MARKING: E119932 ㊦ AWM STYLE 20276 80°C 30V VW-1 HDMI
COPARTNER

NOTE:

1. TESTING CONDITIONS:
 A: INSULATION RESISTANCE 10MΩ
 B: VOLTAGE: DC300V
 C: CONDUCTOR RESISTANCE 3Ω
 2. DURATION: 0.01S

PIN OUT



B

B

⑦	2	DUST COVER :PVC TRANSPARENT COLOUR	
⑥	AR	COPPER FOIL 360° SOLDERING	
⑤	AR	OVER MOLDING: 30P PVC BLACK(050)	
④	AR	OVER MOLDING: 45P PVC BLACK(050)	
③	AR	INNER MOLDING:PE CLEAR	
②	2	HDMI 19P M SOLDER GOLD PLATED 15u" CONTACTS G/F SHELL INSULATION: BLACK	
①	1	UL20276, [(26AWG*1P+MY/AL+D)*4+26AWG*1P+26AWG*5C]+AB(16/3/0.12MM), BLACK JACKET PVC, OD=8.5mm	

A

A

NO.	Q' TY	Description	Remark
-----	-------	-------------	--------



Elpro Video RGB di Grillo Bruno

VIA C. Cavour, 195
 10091 Alpignano (TO)
 Tel. 011 207 9232 - Cel. 340 9730457
 info@elprovideo.com / www.elprovideo.com
 12135380017 - GRLBNN70H12I854V