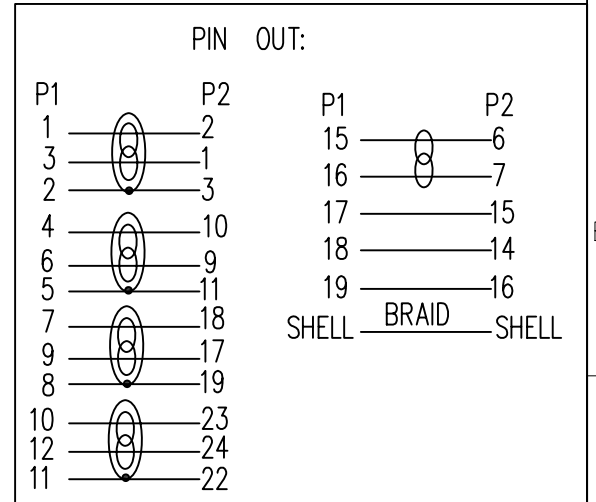


CABLE MARKING: EXXXXXX(VENDOR UL NO.) ㄨ AWM 20276 80°C 30V VW-1 DVI DIGITAL SINGLE LINK XXXXXX(VENDOR NAME)

DVI-HDMI-5.0	5000±50
DVI-HDMI-1.8	1800±30
P/N	L±T

NOTE:
 1. TESTING CONDITIONS:
 A: INSULATION RESISTANCE 10MΩ
 B: VOLTAGE: DC300V
 C: CONDUCTOR RESISTANCE 2Ω
 2. DURATION: 0.01S
 3. PACKING: EACH CABLE IN A PE BAG



8	DUST COVER: PVC TRANSPARENT COLOR	2	
7	COPPER FOIL	AR	
6	OVER MOLDING: 45P PVC BLACK	AR	
5	INNER MOLDING: PE CLEAR	AR	
4	THUMB SCREW: #4-40UNC, GOLD PLATED, MOLDING BLACK PVC.	2	
3	DVI-D(18+1) MALE: GOLD PLATED CONTACTS & SHELL, BLACK INSULATION.	1	
2	HDMI 19P A TYPE MALE: GOLD PLATED CONTACTS & SHELL, BLACK INSULATION.	1	
1	CABLE: UL20276 (28AWG*1P+D+AL/MY)*4P+28AWG*1P+28AWG*3C+AB(85%TC), BLACK PVC JACKET, OD: 7.3±0.2MM	AR	
NO	DESCRIPTION	Q'TY	UNIT



Elpro Video RGB di Grillo Bruno
 VIA C. Cavour, 195
 10091 Alpignano (TO)
 Tel. 011 207 9232 - Cel. 340 9730457
 info@elprovideo.orgb.com / www.elprovideo.orgb.com
 12135380017 - GRLBNN70H12I854V

CUSTOMER

SIGNATURE

REV.

Date

Description

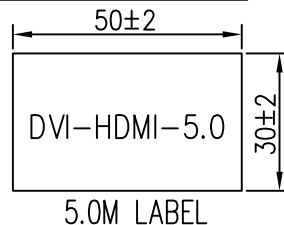
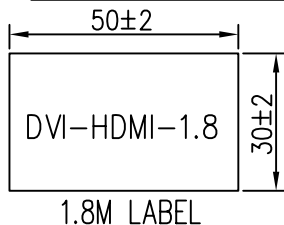
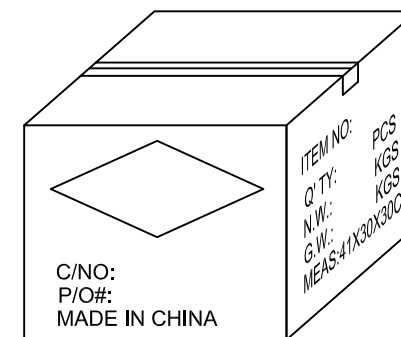
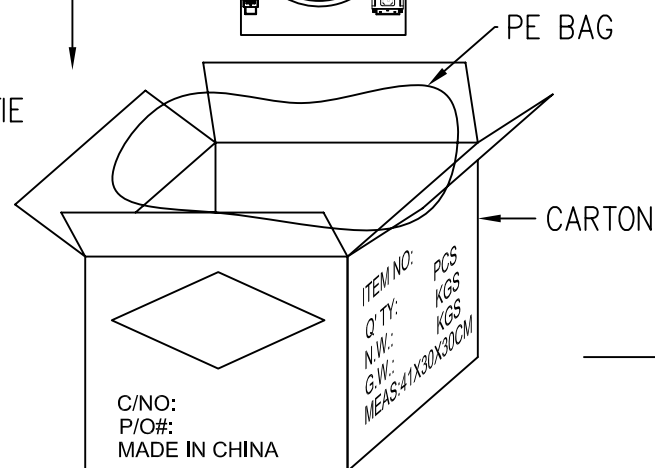
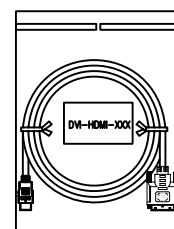
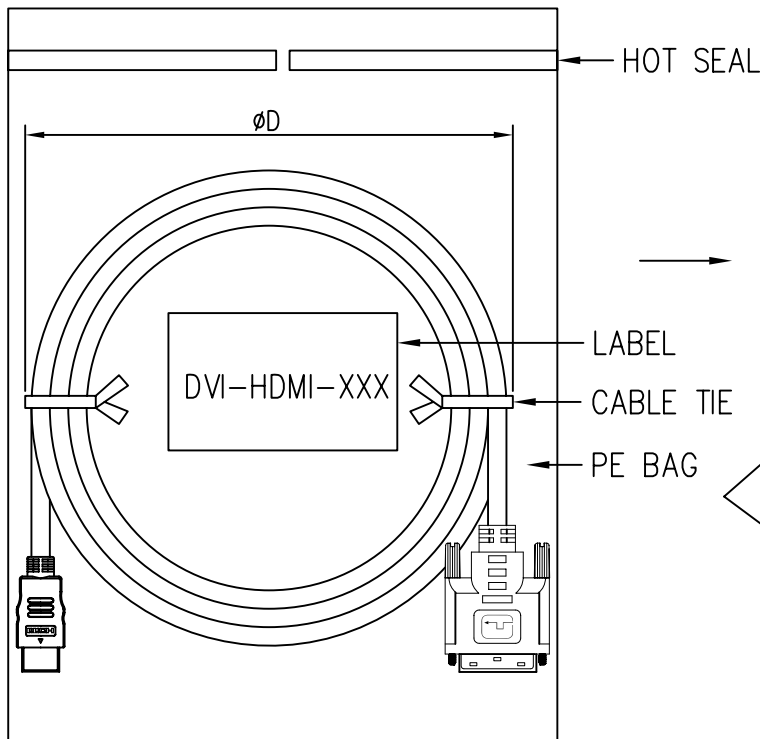
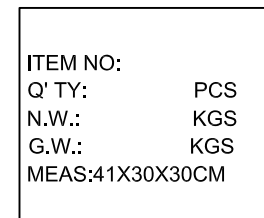
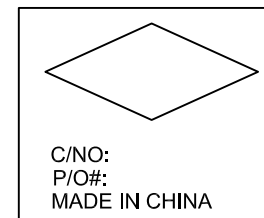
1.0

2014-11-13

First Issue

DVI-HDMI-5.0	140±10	250*200*0.06mm
DVI-HDMI-1.8	115±10	200*150*0.06mm
P/N	∅D	PE BAG

CARTON MARKING



Elpro Video RGB di Grillo Bruno

VIA C. Cavour, 195
10091 Alpignano (TO)
Tel. 011 207 9232 - Cel. 340 9730457
info@elprovideorgb.com / www.elprovideorgb.com
12135380017 - GRLBNN70H12I854V