

# Online Coaxial / Twisted Pair Surge Protection Device

ITEM NO: SP001VPD



Application for protects equipment from high voltage surges such as lightning strikes. UL grounding requirements for coaxial cable offer protection from hazardous voltages that may occur on the shielding. Because of the physical length of ground wires, UL grounding systems may appear as an open circuit to lightning caused, high frequency surges and provide no protection from these surges getting into a home and destroying CATV converters, TV sets, VCR, Camera etc.

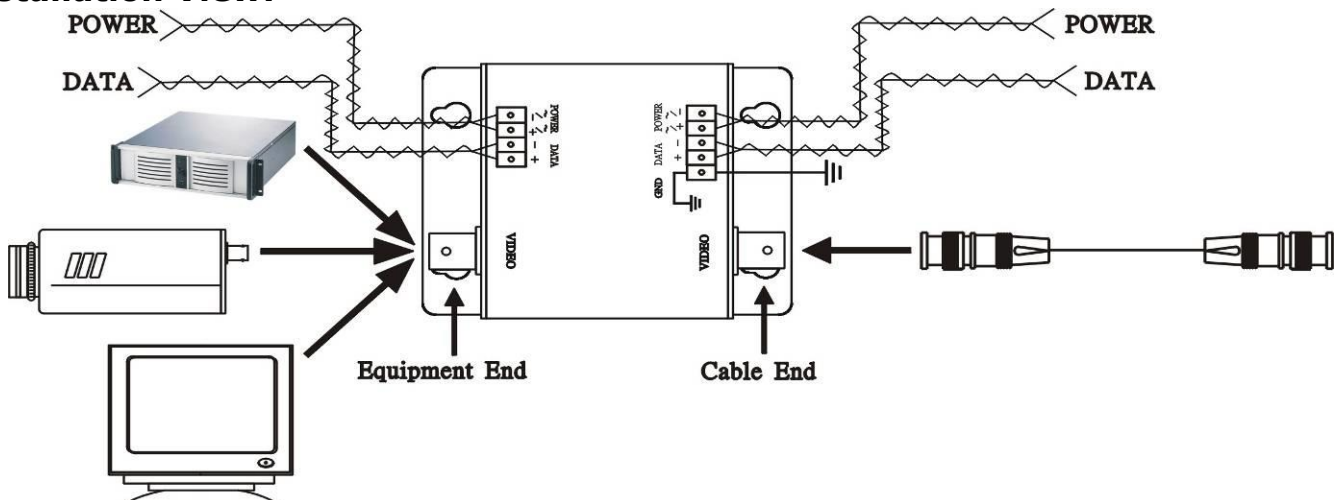
## Features:

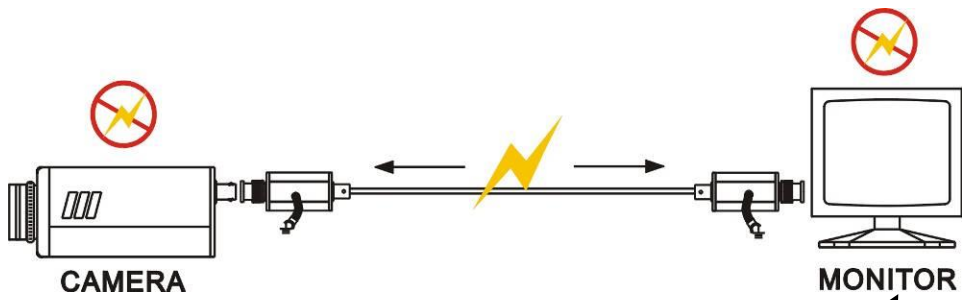
- Performs a different function than grounding requirements.
- Protects equipment from high voltage surges from nearby lightning strikes.
- Two stage protection: 130V, AC/DC 12V
- Wide range of applications: CCTV system, Antenna of Television, satellite receivers, FM receivers, video camera, monitors, multiplexers & Quad processor, VCR, etc.

## SP001VPD Video, Power, Data Surge Protection

- 5 pin terminal (data, power, grounding) + BNC female (video) to 4 pin terminal + BNC female.
- Perfect for PTZ camera protection.
- Two stage protection, AC/DC 130V, AC/DC 12V.
- Max power input AC 40V(MAX), DC 56V(MAX).
- Max current up to 2Amp.

## Installation View:





**Application**

- CATV System
- Antenna of Television
- Video Cassette Recorders
- FM receivers
- Video Cameras and monitors
- Multiplexers and Quad Processor

**Note:**  
For ensuring the unit can protect equipments, the cable must be connected to ground.

**Specification:**

ITEM NO.	SP001VPD
Surge Protection Attack Time	1 ns
Maximum Surge Voltage	4 KV
Surge Life	300 surges of 100Amps
Normal Resistance Across Coax	10,000 MΩ
Surge Resistance	Approx. 0Ω
BAND PASS	0~1 GHZ
Power Passing Capability	130V AC / DC, 65 Vrms at10 Amps
Insertion Loss	Less than 0.2 dB
Return Loss (75 ohms)	16dB
Power IN Put – for SP001VPD	AC 40V(MAX), DC56V(MAX)
Connectors	Terminal
Dimensions W x H x D mm	87x67x27
WEIGHT g	136

RoHS CE FC