

# VGA & Stereo Audio CAT5 Extender – Built in Skew Corrector

ITEM NO.: VE02DALS



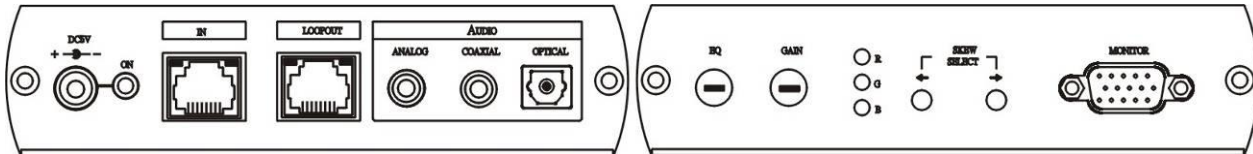
VE02DALS is a CAT5 receiver and special designed for long range transmission over cost effective CAT5 cable to instead of VGA and Audio cable and workable for all our CAT5 VGA transmitters. It's built in RGB skew adjustment for the optimum video performance under long cable run.

## VE02DALS VGA & Stereo/Digital Audio CAT5 Receiver– Built in Skew Corrector

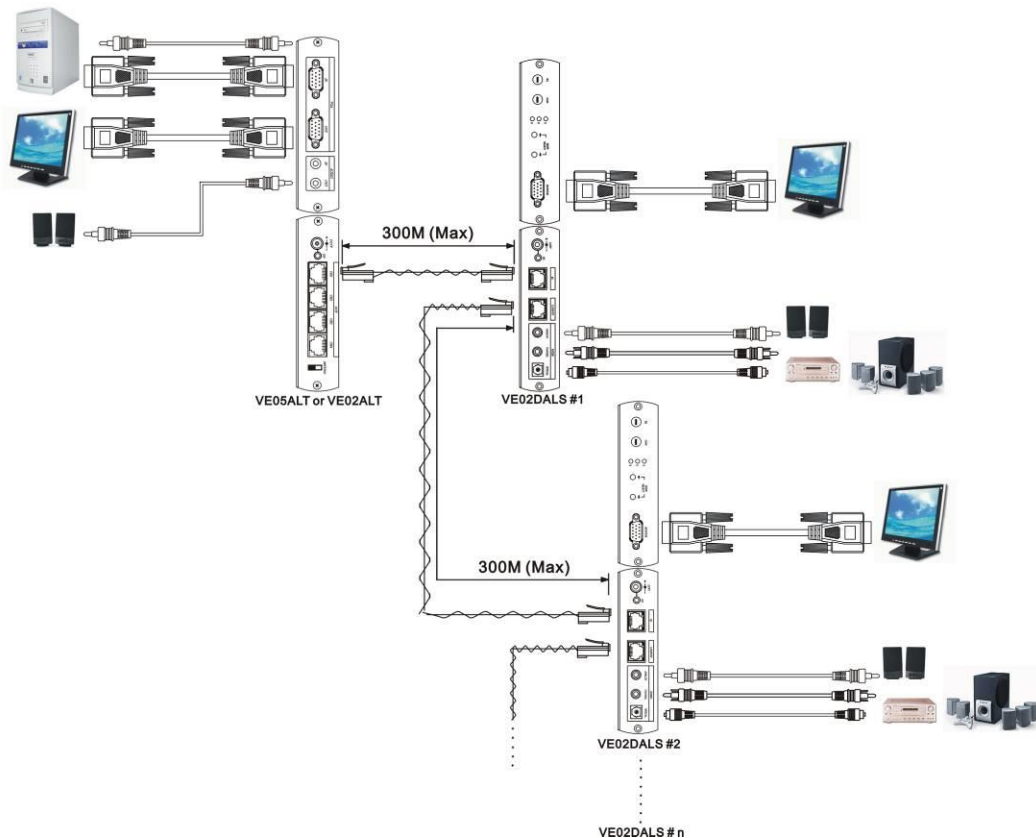
- Work with VE01T, VE02T, VE05T, VE02DAT, VE02ALT, VE05ALT CAT5 VGA transmitter as a high quality receiver.
- Built in RGB skew adjustment for the optimum video performance under long cable run.
- It could be daisy chained for another VE02DALS to extended working range over 300 meters and multiple displays.
- Built in analog audio, digital audio output ( coaxial, optical)
- Built in equalization, gain adjustment.
- Supports up to 1920x1200 @60Hz.
- Digital transmission on analog stereo audio for sound undistorted.
- support LPCM 44.1K · 48K · 96K / 16bit stereo decode function, digital and analog could simultaneously output. Dolby Digital (AC3) and DTS digital output supported.

### Panel View:

VE02DALS



### View of installation:



**Adjustment:**

**EQ :** Cable length EQ adjustment for picture sharpness, clockwise turning to enhance signal, counter-clockwise to lower signal.

**Gain:** Video signal gain adjustment for picture brightness, clockwise turning to enhance signal, counter-clockwise to lower signal.

**Skew Select**  $\leftrightarrow$  : Press  $\leftarrow \rightarrow$  2 buttons together to start the Skew adjustment mode.

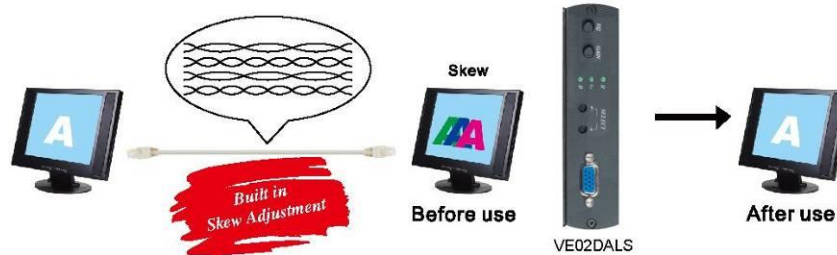
Under skew adjustment mode: Press  $\leftarrow \rightarrow$  2 buttons together again to switch the color (RGB) you want to adjust.

**Skew Select**  $\leftarrow$  : reduce delay time (color move to left side)

**Skew Select**  $\rightarrow$  : increase delay time (color move to right side)

**Note:** 1. Under Skew adjustment mode without any setting in 30 seconds, it will be auto off skew adjustment mode.

2. EQ, Gain, Skew adjustment also influence the picture quality of Loop Out.

**LED Indication:**

**Blue LED:** Power on/off

**Vertical 3 x LED:** Under skew adjustment mode, to indicate the color you adjust  
R = Red, G = Green, B = Blue.

**Link Cable Connector:**

**Green LED:** Audio signal lock (LED on)

**Caution:**

The cabling must away from any equipment with electromagnetic wave, i.e.: microwave, radio equipment, high voltage lines.

**Specification:**

ITEM NO.	VE02DALS
Resolution	Up to 1920x1200 @60Hz
Video Bandwidth	122MHz(-3dB)
Video Output	RGB Analog, 75Ω, 0.7Vp-p
Sync Output	H/V Separated, 5V TTL
Horizontal Frequency	30-95 KHz
Vertical Frequency	50-180 Hz
VGA Connector	DB15 x 1
Audio Bandwidth	20-20KHz (-3dB)
Link Connector	RJ45 x 2
Analog Audio Output	10KΩ, 3Vp-p (Max)
Analog Audio Connector	3.5mm Stereo Phone jack x 1
Digital Audio Connector	Coaxial RCA x 1 (75Ω) · Optical x 1
Skew Adjustment	0 – 62ns ( 2ns Step )
Max Distance	Up to 1000 ft. (300M)
Power Supply	5V DC 2000mA
Power Consumption	1000mA (Max)
Dimensions mm	125 x 95 x 30
Weight g	285

RoHS CE FC

Rev. B