

HDMI 2.0 4K 60Hz 1 IN 10 OUT HDMI Distribution Amplifier
ITEM NO.: HD10-4K6G 1 Input 10 Output HDMI 2.0 Distribution Amplifier

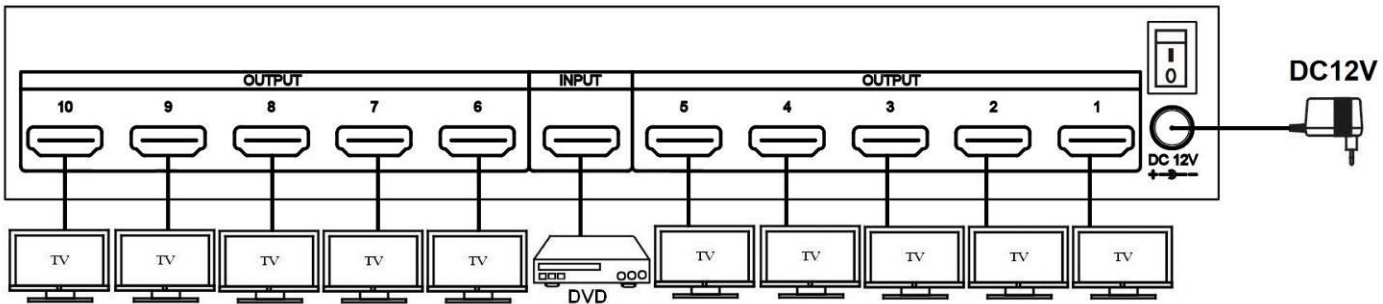


HD10-4K6G is an HDMI 2.0/HDCP 2.2 compliant distribution amplifier which resolution support up to UHD 4K 60Hz 4:4:4. It equalizes the signal and distributes it up to 10 identical outputs which perfect for any multiple HDMI distribution application.

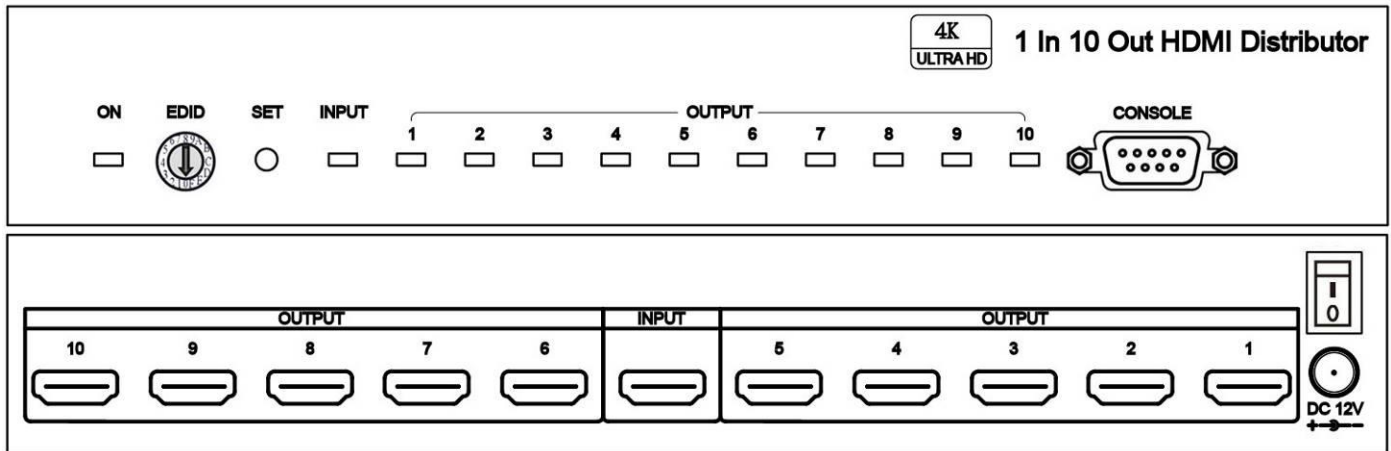
HD10-4K6G 4K 60Hz 1 Input 10 Output Distribution Amplifier

- Connects up to 10 HDMI displays at the same time from an HDMI source.
- Support 4K@60Hz 4:4:4 18Gbps (6Gbps per color)、1080p@60Hz 16bit、3D、HDR
- Built in EDID copy.
- Support LPCM 7.1、Dolby TrueHD、DTS-HD Master Audio.
- Bandwidth: 25~600 Mhz.
- HDMI 2.0 compliance, HDCP 2.2/1.4 complaint.
- DVI 1.0 compliance.

Installation View:



PANEL VIEW:



HD10-4K6G Front Panel Function :

Panel	Function
ON (Power LED)	Power on/off
EDID (Rotary Switch)	Select 0~F to set up EDID
SET (Button)	EDID setup button
INPUT (LED)	HDMI input Indication
OUTPUT (LED)	HDMI Output indication
CONSOLE (RS232)	Firmware update

EDID Setting:



Rotary Switch for EDID

Rotary Switch	Function:
1~A	Copy output 1~10 monitor EDID
0	Default 1080P 2 channel audio
B	Default 1080P Muliti channel audio.
C	Default 4K3G 2 channel audio
D	Default 4K3G Multi channel audio
E	Default 4K6G 2 channel audio.
F	Default 4K6G Multi channel audio

***After select the rotary 0-F , then press " set" button to complete EDID setting**

Console Port:

R232 interface connect to PC for firmware updated

Specification:

ITEM NO.	HD10-4K6G
Resolution	480i/p, 576i/p, 720p, 1080i/p@60Hz, 4K@30Hz, 4K@60Hz(YCbCr 4:4:4)
HDMI Connector	HDMI Type A x 11
Console	RS-232 x 1 (Firmware updated)
Rotary Switch	BCD (Rotary SW 0-F) Switch x 1
Function button	Button x 1
Power Supply	DC 12V 1.5A
Power Consumption	800mA (Max)
Resolution	Operation: 0 to 60°C, Storage: -20 to 85°C, Humidity: up to 95%
Dimensions mm	253 x 139 x 40
Weight g	850

RoHS CE FC

Rev. A